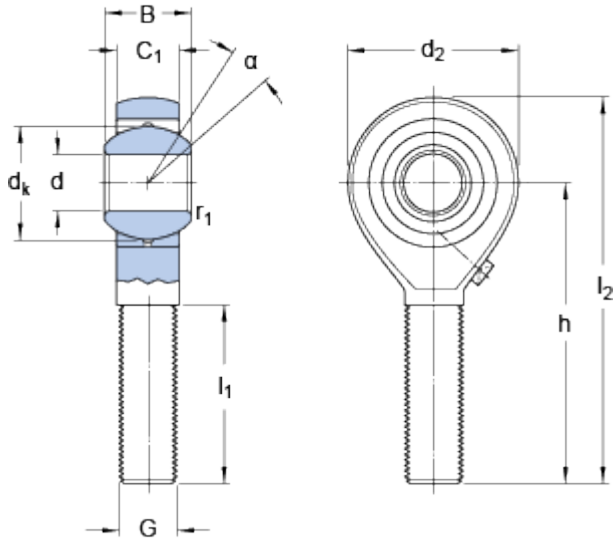


SAKAC 12 M

Dimensions



d	12	mm
d ₂	max. 33	mm
B	16	mm
G	M 12	
C ₁	max. 12.5	mm
h	54	mm
	13	°
d _k	22.2	mm
l ₁	min. 32	mm
l ₂	max. 72	mm
r ₁	min. 0.3	mm

Calculation data

Basic dynamic load rating	C	12.2	kN
Basic static load rating	C ₀	12.2	kN
Specific dynamic load factor	K	50	N/mm ²
Material constant	K _M	330	

Mass

Mass rod end	0.085	kg
--------------	-------	----